

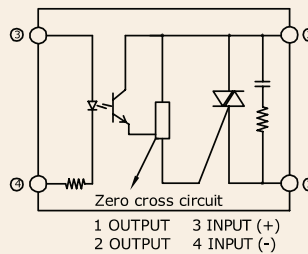
Series: 001 J/K

**Single Phase SSR (240VAC)
10~60Amps**

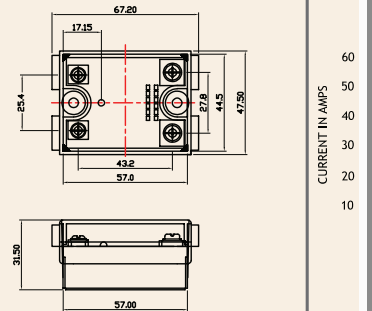
INPUT : DC Control
OUTPUT : Triac



Schematic



Mechanical Drawing



Salient Features

- Opto Isolation 4000 VAC • Zero Voltage Turn On/Random Turn On • TTL/CMOS Compatible (Si
- Output: NO/NC Configuration • Safety Cover Provision • Built-in Snubber • Panel Mountable/
- Reverse Voltage Protection for DC/AC • Transient Protection Available (Optional)

ELECTRICAL SPECIFICATION @ TA = 25°C			NOTE: FOR RANDOM T-ON SSR, ADD LETTER 'R'			
PARAMETER	SYMBOL	UNIT	PRODUCT PART NUMBER			
			001 JDA 331000	001 JDA 331600	001 JDA 332500	001 JDA 333000

INPUT

PARAMETER	SYMBOL	UNIT	001 JDA 331000	001 JDA 331600	001 JDA 332500	001 JDA 333000
Control Voltage Range		Vdc	3-32	3-32	3-32	
Control Current Range		mA	1-20	1-20	1-20	
Pick-up Voltage		Vdc	3.0	3.0	3.0	
Drop-out Voltage		Vdc	1.0	1.0	1.0	
Input Resistance		KOhms	1.6	1.6	1.6	

OUTPUT

PARAMETER	SYMBOL	UNIT	001 JDA 331000	001 JDA 331600	001 JDA 332500	001 JDA 333000
RMS on state Current	IT	A	10	16	25	
Mains Control Voltage	Vrms	Vac	24-330	24-330	24-330	2
Rep Peak Off state Voltage	Vdrm	Vpk	600	600	600	
Peak one cycle surge Current (Non-Rep)	ITSM	A	100	160	250	
On state Voltage Drop	VTM	Vac	1.6	1.6	1.6	
Off state Leakage current	Idrm	mA	5	5	5	
Zero T-On Voltage	Vnk	Vac	25	25	25	