

FAN12 Ventilating units with filter

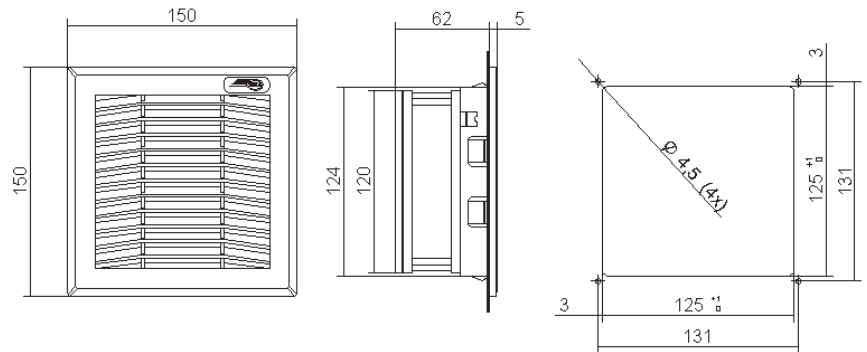
Characteristics	M.U.	FIL12XNOB	FAN12BNOB	FAN12CNOB	FAN12UNOB	FAN12VNOB
Air flow rate	m³/h	-	57/61	57/61	60	60
Power supply	V ~ Hz	-	230 1~ 50-60	115 1~ 50-60	24 V DC	48 V DC
Dimensions HxWxD	mm	150x150x24	150x150x67	150x150x67	150x150x67	150x150x67
Absorbed electric power	W	-	20/19	20/18	7,4	7,7
Max. current	A	-	0,12/0,11	0,21/0,18	0,31	0,16
Over current protection	-	-	Inside motor	Inside motor	Inside motor	Inside motor
Electrical connection	-	-	Faston	Faston	Faston	Faston
Duty cycle	-	-	100%	100%	100%	100%
Temperature limits	°C	-30 +75	-10 +50	-10 +50	-10 +50	-10 +55
Protection level EN60529	-	IP54	IP54	IP54	IP54	IP54
Noise level	dB (A)	-	43/48	43/48	43	43
FAN + FIL air flow rate	m³/h	-	1x FIL12XNOB: 41/44 1x FIL25XNOB: 47/51		1x FIL12XNOB: 43 1x FIL25XNOB: 49	
Direction of the air flux	-	-	Outside towards the inside Reversible	Outside towards the inside Reversible	Outside towards the inside Reversible	Outside towards the inside Reversible
Filter (Eurovent)	-	EU4	EU4	EU4	EU4	EU4
Motor support	-	-	Bearings	Bearings	Bearings	Bearings
Service Life L ₁₀	h	-	45000	45000	60000	60000
Colour	-	RAL 7035 orange peel effect				
Conformity	-	CE	CE	CE	CE	CE

Accessories/Options	
Pack of 10 cloth filters for FAN12	AAFFN12
Pack of 10 cloth filters for FAN12 high filtering capacity	AAFFH12
Pack of 10 cloth filters for FAN23-25	AAFFN25
Pack of 10 cloth filters for FAN23-25 high filtering capacity	AAFFH25
0-60°C thermostat, NO 10A	AAFTO12
5-60°C thermostat, change-over contact 10A	AAWTS10
Casing for IP55 protection	C12001228

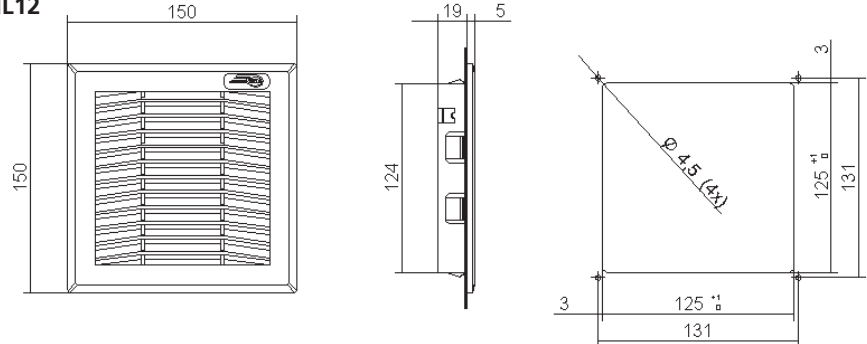
REMARK : The drilling templates are merely indicative. Always put in touch with our technical-sales department for further explanation you should need.



FAN12



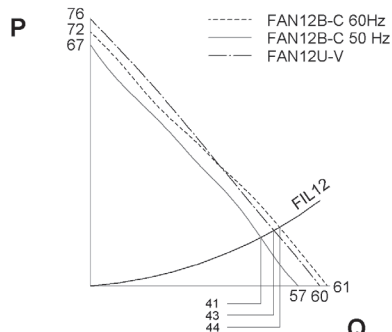
FIL12



Dimensions

Drilling templates

Performances



P = Static pressure (Pa)
Q = Air flow rate (m³/h)